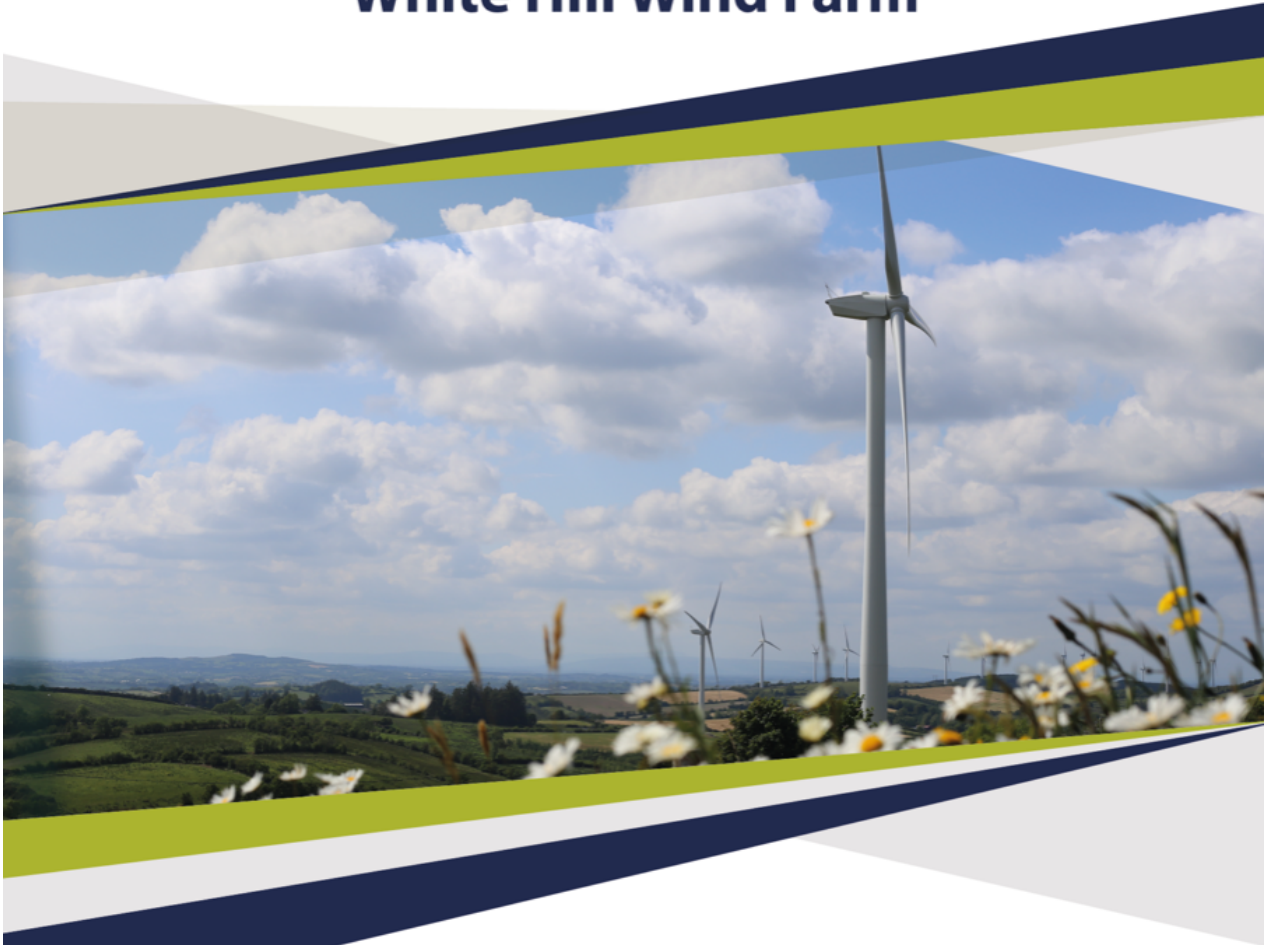


# White Hill Wind Farm



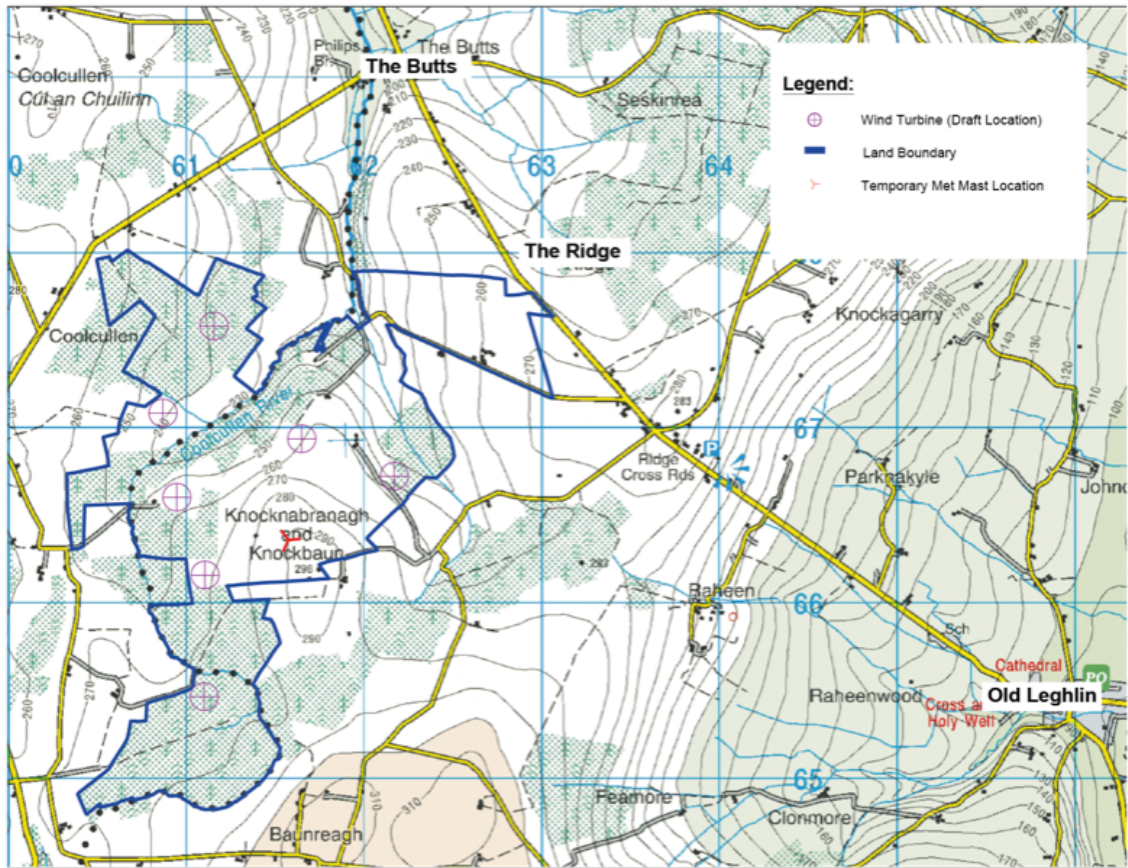
**White Hill Wind Farm** project is a proposed wind energy development of approximately 7 wind turbines with a typical output of 5-6 Megawatts per turbine of renewable energy – enough to provide approximately 30,500\* Irish Households with green energy every year. The proposed development is within the townland of Knocknabranagh and Knockbaun, Co. Carlow and Coolcullen, Co. Kilkenny.

A temporary 80 meter met mast will be installed on the site over the coming weeks to collect wind speed, direction, temperature, humidity and air pressure, which will be used to predict and analyse the energy that the wind farm can produce on the site. The proposed development is being designed to the latest best industry standards and we are appealing to local residents to have their say at this early stage of the development so as to maximise the project benefits to the neighbouring community.

***To register your interest in an appointment or clinic meeting post Covid restrictions please contact us on  
1800 140 240***

*\*based on CRU 2017 annual report of 4,200Kwhrs electricity consumption per household per annum based on average dwelling.*

[www.whitehillwindfarm.ie](http://www.whitehillwindfarm.ie)



### Proposed Project:

Assessment work at the proposed White Hill Wind Farm site has shown that it is capable of accommodating up to 42 Megawatts (MW) of installed generating capacity. The project will essentially comprise of up to 7 wind turbines (5-6 Megawatts). Apart from the turbines themselves, the other principal components of the wind farm are the foundations to support the turbine towers, access roads, crane hard standings, underground cables between the turbines, on-site electricity substation and an electrical connection to the appropriate node on the National Grid. The exact type of turbine that will be used has not yet been finalised, however in order not to underestimate any potential impacts, the largest physical dimensions of all of the wind turbines under construction have been used to access the visual impact of the project. The maximum turbine envelope has a blade tip height of approx. 180 meters. It is intended to submit a planning application for the proposed project in Spring 2022.

### Wind Energy - Climate Action

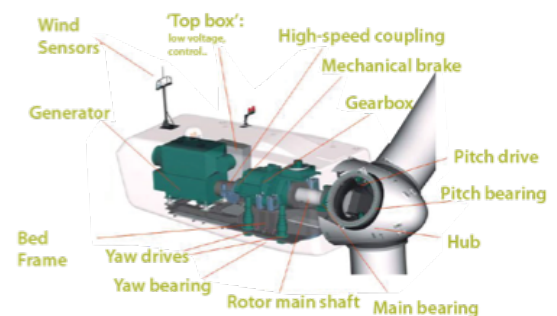
Government policy has set a target for 70% of the electricity we consume by 2030 to be generated from renewable resources. Wind energy will be the main component of Ireland's renewable electricity by this time in order to play its part in achieving the European climate and energy ambitions.

### How Wind Turbines Operate:

Wind turbines convert the kinetic energy in wind to generate electricity. To create electricity from wind, the blades capture the wind which drives the shaft connected to a gear box as shown in figure 2.

The Tubular towers, carrying the nacelle and rotor, are made of steel or concrete and taper from their base to the top. The nacelle which carries the generator and rotor are designed to rotate 360 degrees, or "yaw", in order to face the prevailing wind.

Figure 2 – Nacelle & Hub Components





### Safety

Safety is our number 1 priority in the construction and operational phase of all our projects. There will be an opportunity to visit one of our operational wind farms to see how committed we are to health and safety by setting the highest standards.

### Environment

Wind power is a low-carbon energy source. When a wind turbine generates electricity it produces virtually zero carbon emissions. The development of clean wind energy avoids significant carbon dioxide (CO<sub>2</sub>) pollution. In 2020, wind energy met a record 36% of our electricity demand, the second highest in Europe and the highest in onshore wind.

### Winds as % Demand

Republic of Ireland	
2016	21%
2017	25%
2018	29%
2019	32.5%
2020	36%

*\*\*Figures correct on 05/03/2021*

White Hill Wind Farm will supply the needs of approximately 30,500 homes with green energy every year.



### Benefits of the Development

**At National Level,** the proposed White Hill Wind Farm will play a worthy part in assisting Ireland's commitment to increasing its renewable energy sources in the post 2020 period with the production of renewable electricity. Our Government's new pledge on the 25th March 2019 to generate 70% of electricity from renewable sources by 2030 is an increase from its previous target of 55% and will form part of the new Climate Action Plan that is being overseen by the present Minister for Communications, Climate Action, and the Environment.

Our proposed White Hill project will contribute in reducing our total National greenhouse gas emissions. In doing so, it will reduce our dependence on external energy sources and help to improve our energy security of supply.

**At Regional Level,** this new proposed development will help to meet the rising demand for electricity especially renewable electricity, resulting from renewed economic growth in County Carlow & County Kilkenny. The construction phase will create additional employment in the region through the supply of services and materials to the proposed wind farm.

**At Local Level,** it will ensure the continuity of enterprise and employment in the area. It is expected that up to 100 workers would be employed on the project at peak. It will also support long term high quality technical jobs in operation and maintenance as well as ancillary functions. Once in operation the rates that will be paid by White Hill Wind Farm to both Carlow and Kilkenny County Councils will support the provision of local services. A range of other benefits associated with the development will be provided to the community. There will be a community fund set up in accordance with the Wind Energy Ireland (WEI) best practice and it will be available to the community.

## PROJECT MILESTONES AND TIMELINES

### March 2017 - Dec 2023

Initial Project Feasibility & Baseline Surveys

### March 2021 - Dec 2027

Community Consultation & Stakeholder Engagement

### March 2021 - March 2022

Detailed Surveys & Engineering Design

### January 2022

Final Turbine Layout & Design Proposals

### Spring 2022

Planning Application completion & submission

### Further Project Milestones

Planning Decision will determine further project milestones

### Community Engagement:

The White Hill Wind Farm community liaison team are committed to keeping the locality we are engaging with safe. Door to door engagement will commence as soon as government restrictions are lifted.

Our staff also are available to discuss the project in more detail via free phone, contact card, website & email.

The White Hill Wind Farm draft layout currently includes sections of Coillte property in its proposal in addition to other third party lands. If you have any Coillte related queries about the proposal, please contact [lsinfo@coillte.ie](mailto:lsinfo@coillte.ie)

### Galetech Energy Development

Galetech Energy Group headquartered in Stradone, Co. Cavan, is an Irish wind farm developer and multi-disciplinary renewable energy consultancy and products provider to the wind and solar industries.

The group employs 103 people, providing full-service energy consulting in all areas of wind energy development, consultancy, construction and operation. Galetech Energy is currently developing over 450MW of wind projects in Ireland; the group is also providing consultancy services to clients in Ireland, UK, France, Sweden, Poland, Bulgaria, Kazakhstan, Kenya and South Africa.

### CONTACTS

#### Deirdre Keegan, Community Liaison Officer (CLO)

T. +353 (0) 87 1163978

E. [clo@whitehillwindfarm.ie](mailto:clo@whitehillwindfarm.ie)

W. [www.whitehillwindfarm.ie](http://www.whitehillwindfarm.ie)

#### Malachy Magee, Community Engagement

T. +353 (0) 87 6690803

E. [clo@whitehillwindfarm.ie](mailto:clo@whitehillwindfarm.ie)

W. [www.whitehillwindfarm.ie](http://www.whitehillwindfarm.ie)

**Freephone 1800 140 240**

White Hill Wind Farm,  
Carlow Wind Ltd. Clondargan, Stradone,  
Co. Cavan, Ireland H12NV06.

[www.whitehillwindfarm.ie](http://www.whitehillwindfarm.ie)